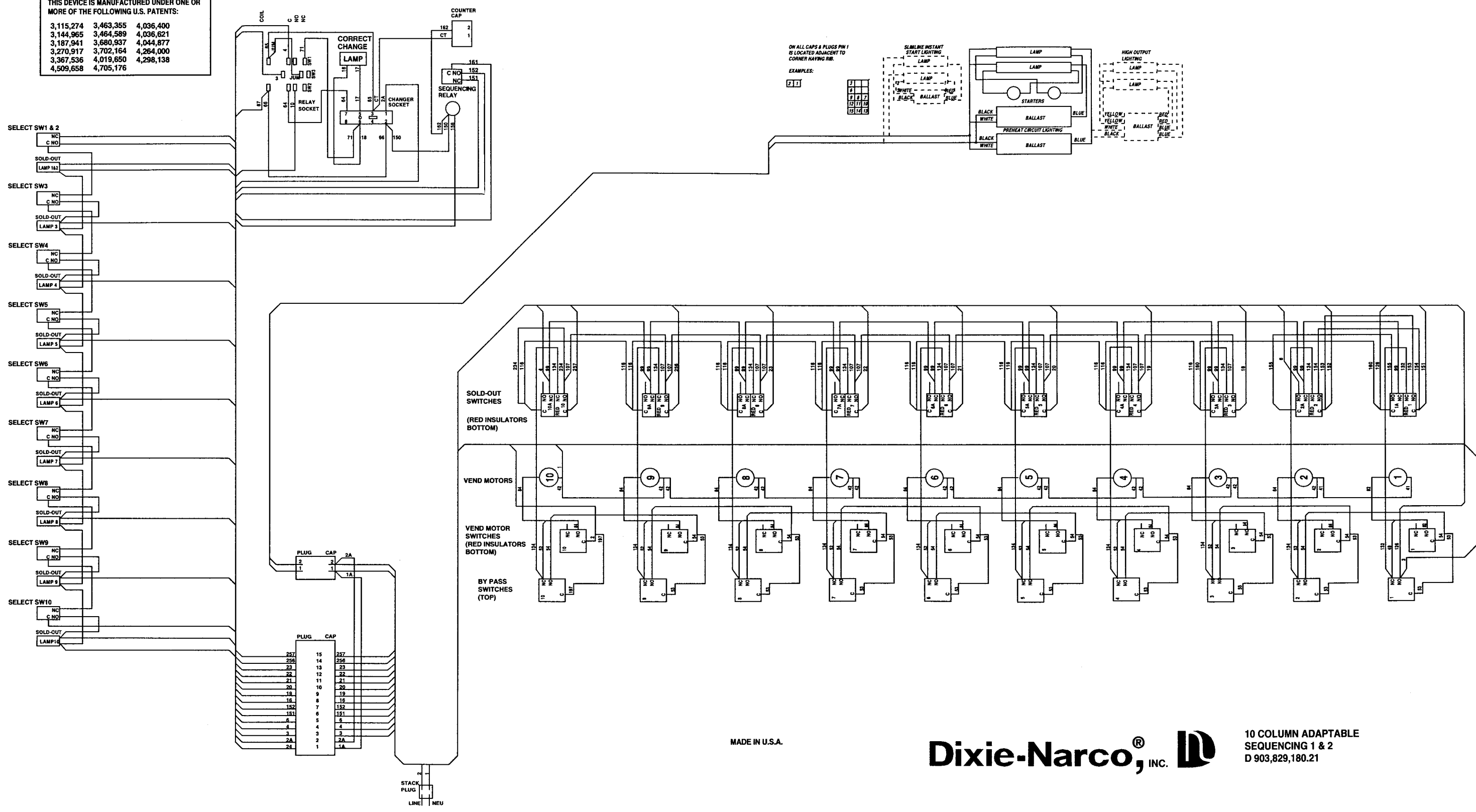


PATENT NOTICE
 THIS DEVICE IS MANUFACTURED UNDER ONE OR MORE OF THE FOLLOWING U.S. PATENTS:

3,115,274	3,463,355	4,036,400
3,144,965	3,464,589	4,036,621
3,187,941	3,680,937	4,044,877
3,270,917	3,702,164	4,264,000
3,367,536	4,019,650	4,298,138
4,509,658	4,705,176	



ON ALL CAPS & PLUGS PIN 1 IS LOCATED ADJACENT TO CORNER HAVING RB.
 EXAMPLES:

2	
4	
2	7
12	11
15	14

MADE IN U.S.A.

Dixie-Narco[®], INC.

10 COLUMN ADAPTABLE
 SEQUENCING 1 & 2
 D 903,829,180.21